



## CD3500

Access Control

### Codoor codelock – Scandinavian lock case standard

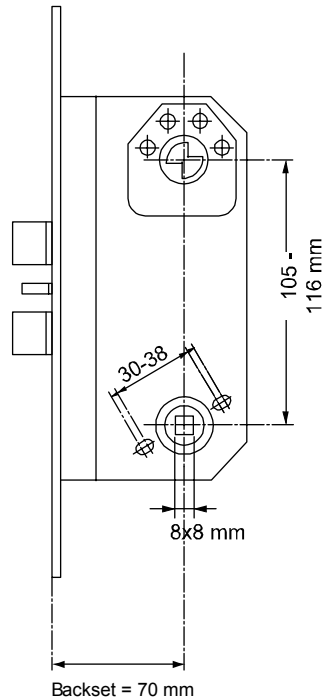
- 
- Stand alone programmable codelock for single door
  - Simple and quick to install
  - Internal power supply
  - Built in safety backup

CD3500 is a battery-powered codelock that fits directly on an interior door. The programming of codes is carried out directly via the keypad. It is possible to manually change the settings to leave the door unlocked if necessary. The batteries used are standard alkaline or lithium cells.

## Prerequisites

The CD3500 is suitable for lock cases with a distance of between 105 mm and 116 mm between the center of the door handle and the center of the lock cylinder. It is designed to fit a Scandinavian lock case.

The illustration below gives the dimension of a lock case.



## Technical data

<b>CD3500</b>	
Operating voltage	9 VDC. Two batteries, 9V type 6LR61 (not included).
Operational time	Up to 150,000 openings (lithium batteries) or 50,000 openings (alkaline batteries), or one year, whichever comes first
Code capacity	Nine
Operating temperature	0 to +50 °C
Environment	Indoors, dry
IP rating	IP 30
Color	Stainless steel
Dimensions (W x H x D)	64 x 245 x 47 mm

## Details for ordering

Type	Part no	Designation	Weight
CD3500	S24246-C8100-A1	Codoor codelock	0.9 kg

Issued by  
Siemens Building Technologies  
Fire & Security Products GmbH & Co. oHG  
D-76181 Karlsruhe  
www.buildingtechnologies.siemens.com

© 2009 Copyright by  
Siemens Building Technologies  
Fire & Security Products GmbH & Co. oHG  
Data and design subject to change without notice.  
Supply subject to availability.