



## PD30-EM

Access Control

### Prox Codoor – Scandinavian lock case standard

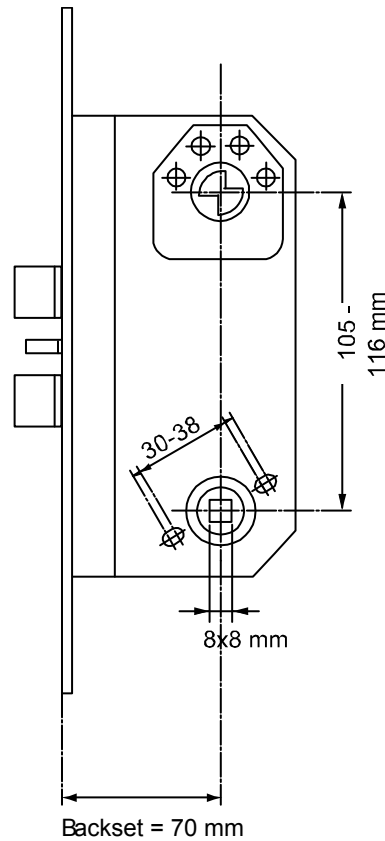
- 
- **All-in-one-reader**
  - **Integrated electromechanical lock**
  - **Mounted straight onto standard Scandinavian lock case**

PD30-EM is a system Codoor unit that uses EM4102 proximity technology. It contains a reader, controller, lock mechanism and power supply, all in a single housing. Since the PD30-EM is mounted directly onto a standard lock case, you do not have to make any cuts in the door other than those required for the cables for power and communication.

## Prerequisites

PD30-EM is suitable for lock cases with a distance of between 105 mm and 116 mm between the center of the door handle and the center of the lock cylinder. It is designed for use with Scandinavian lock cases.

The illustration below gives the dimension of a lock case.



## Technical data

	<b>PD30-EM</b>
Supplied with	Dropbox and a five metre cable
Operating voltage	8 to 40 VDC , 8 to 30 VAC
Power consumption	Power save 12V DC: 0.24 W Full on 12V DC: 0.71 W Power save 24V DC: 0.34 W Full on 24V DC: 0.75 W
Card technology	EM4102 (also known as Miro or UNIQUE 125 KHz)
Card read distance	Up to 3 cm with passive card
Interface to controller	To segment controller: RS485
Indicators	3 x LED (red/yellow/green)
Keypad	No
Operating temperature	0 to +50 °C
Environment	Indoor use only
IP rating	IP30
Housing	Stainless steel housing with ABS base reader head
Color	Stainless steel
Dimensions (W x H x D)	64 x 245 x 47 mm
Approval	CE

**Details for ordering**

---

Type	Part no	Designation	Weight
PD30-EM	S24246-F8504-A1	Prox Codoor – Scandinavian	0.85 kg

Issued by  
Siemens Building Technologies  
Fire & Security Products GmbH & Co. oHG  
D-76181 Karlsruhe  
[www.buildingtechnologies.siemens.com](http://www.buildingtechnologies.siemens.com)

© 2009 Copyright by  
Siemens Building Technologies  
Fire & Security Products GmbH & Co. oHG  
Data and design subject to change without notice.  
Supply subject to availability.

---

Document no. **A6V10081522**  
Edition 17.11.2009