



CCDA1425 Speed Dome Camera Accessories

CCDA1425
SPEED DOME
ACCESSORIES

- Indoor ceiling surface mount
- Indoor flush ceiling mount
- Weatherproof outdoor housing
- Wall mount
- Wall mount with junction box
- Pendant mount
- Pole mount adapter
- Corner mount adapter
- Extension pole
- Tinted dome bubble for exchange
- Power supplies
- Wide range of applications
- Easy installation

The CCDA1425 Dome cameras are supported by an extensive range of accessories that will provide for most mounting requirements, whether the cameras have to be mounted indoors or outdoors. Alternative dome bubbles are available for all dome housings.



CCDA1425-WPH

CCDA1425-WPH Weatherproof outdoor housing (2GF1192-8BA)

This weatherproof housing enables the outdoor installation of the CCDA1425 Speed Domes. Including a heater and fan the housing is weatherproof to IP66. Incorporating a temperature-management, the outdoor housing is designed for operation in temperatures ranging from -30 – +50 °C.



CCDA1425-SM

CCDA1425-SM Indoor ceiling surface mount (2GF1192-8BB)

This indoor ceiling mount includes a clear bubble that will prevent the ingress of dust when the CCDA1425 Speed Dome is installed indoors. This ceiling mount attaches directly to the surface of a flat ceiling.



CCDA1425-FM

CCDA1425-FM Indoor ceiling flush mount (2GF1192-8BC)

This indoor flush ceiling mount includes a clear bubble that will prevent the ingress of dust when the CCDA1425 Speed Dome is installed indoors. The housing enables the CCDA1425 Speed Domes to be recessed into a hole cut into the ceiling.



CCDA1425-WM

CCDA1425-WM Wall mount (2GF1192-8BE)

This wall mount attaches directly to a flat upright wall and includes a mounting flange with a standard 1½-inch NTP threaded pipe. This simple wall mount is compatible with the weatherproof outdoor housing CCDA1425-WPH.



CCDA1425-WMJ

CCDA1425-WMJ Wall mount with junction box (2GF1192-8BF)

This wall mount attaches directly to a flat wall and includes a mounting flange with a standard 1½-inch NTP threaded pipe. The integrated junction box provides perfect cable connectivity and servicing / maintenance capability. The “internal” cabling to the Dome camera is established via a system cable that is delivered together with the weatherproof housing. This pendant ceiling mount is compatible with the weatherproof outdoor housing CCDA1425-WPH.



CCDA1425-PM

CCDA1425-PM Pendant mount (2GF1192-8BG)

This ceiling pendant mount is a perfect solution for any wood, metal, plaster, drywall, or other hard ceiling installation. The mounting assembly includes a ceiling flange and a standard 1½-inch NTP threaded pipe. The assembly can be used in beam/pendant installations. This pendant ceiling mount is compatible with the weatherproof outdoor housing CCDA1425-WPH.



CCDA1425-PMA

CCDA1425-PMA Pole mount adapter (2GF1192-8BD)

This pole mount adapter is used to fix the wall mount CCDA1425-WM or CCDA1425-WMJ onto a pole (max. pole diameter 150 mm).



CCDA1425-CMA

CCDA1425-CMA Corner mount adapter (2GF1192-8BH)

This corner mount adapter can be used to fix the wall mounts CCDA1425-WM or CCDA1425-WMJ on a right angled wall corner.



CCDA1425-EP

CCDA1425-EP Extension pole (2GF1192-8BJ)

The extension pole increases the length of wall and pendant mounts by 0.5 m. For use with CCDA1425-WM, CCDA1425-WMJ and CCDA1425-PM.



CCDA1425-FMSB

CCDA1425-FMSB Tinted/smoked bubble for CCDA1425-FM (2GF1192-8BK)

Tinted/smoked bubble for exchange with the standard clear bubble that is delivered with the indoor ceiling flush mount CCDA1425-FM.



CCDA1425-SMSB

CCDA1425-SMSB Tinted/smoked bubble for CCDA1425-SM (2GF1192-8BL)

Tinted/smoked bubble for exchange with the standard clear bubble that is delivered with the indoor ceiling surface mount CCDA1425-SM.



CCDA1425-WPHSB

**CCDA1425-WPHSB Tinted/smoked bubble for weatherproof housing
CCDA1425-WPH (2GF1192-8BM)**

Tinted/smoked bubble for exchange with the standard clear bubble that is delivered with the Weatherproof outdoor housing CCDA1425-WPH.



CCDA-IDPS Indoor power supply (2GF1191-8BA)

110/230 V AC primary; 24 V AC/45 W secondary

Weatherproof power supply for CCDA domes (2GF1191-8CA)

230 V AC primary; 24 V AC/100 W secondary

Details for ordering

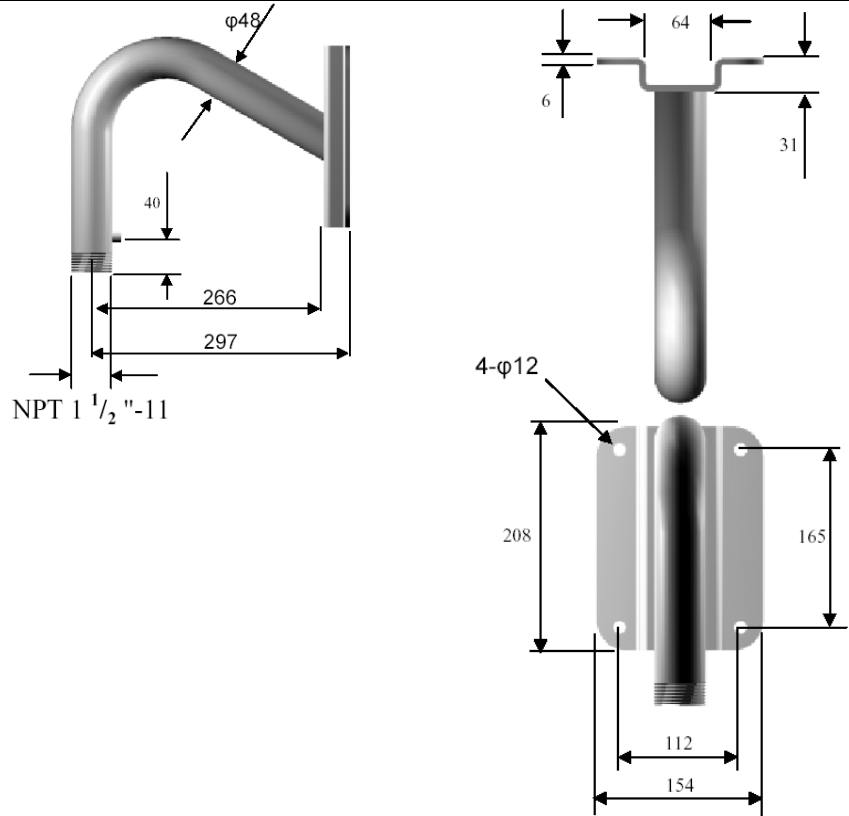
Type	Part No.	Designation	Weight
CCDA1425-WPH	2GF1192-8BA	Weatherproof outdoor housing	4.0 kg
CCDA1425-SM	2GF1192-8BB	Ceiling surface mount (indoor)	1.2 kg
CCDA1425-FM	2GF1192-8BC	Ceiling flush mount (indoor)	1.4 kg
CCDA1425-PMA	2GF1192-8BD	Pole mount adapter	0.8 kg
CCDA1425-WM	2GF1192-8BE	Wall mount	3.4 kg
CCDA1425-WMJ	2GF1192-8BF	Wall mount with junction box	4.8 kg
CCDA1425-PM	2GF1192-8BG	Pendant mount	3.0 kg
CCDA1425-CMA	2GF1192-8BH	Corner mount adapter	1.0 kg
CCDA1425-EP	2GF1192-8BJ	Extension pole	1.0 kg
CCDA1425-FMSB	2GF1192-8BK	Tinted/smoked bubble for CCDA1425-FM	0.3 kg
CCDA1425-SMSB	2GF1192-8BL	Tinted/smoked bubble for CCDA1425-SM	0.2 kg
CCDA1425-WPHSB	2GF1192-8BM	Tinted/smoked bubble for CCDA1425-WPH	0.6 kg
CCDA-IDPS	2GF1191-8BA	Indoor power supply 24 V AC	1.9 kg
CCDA-ODPS	2GF1191-8CA	Junction box with power supply 24 V AC	6.3 kg

Technical drawings

Type	Part No.	Dimensions (mm)
CCDA1425-WPH	2GF1192-8BA	
CCDA1425-SM	2GF1192-8BB	
CCDA1425-FM	2GF1192-8BC	
CCDA1425-PMA	2GF1192-8BD	

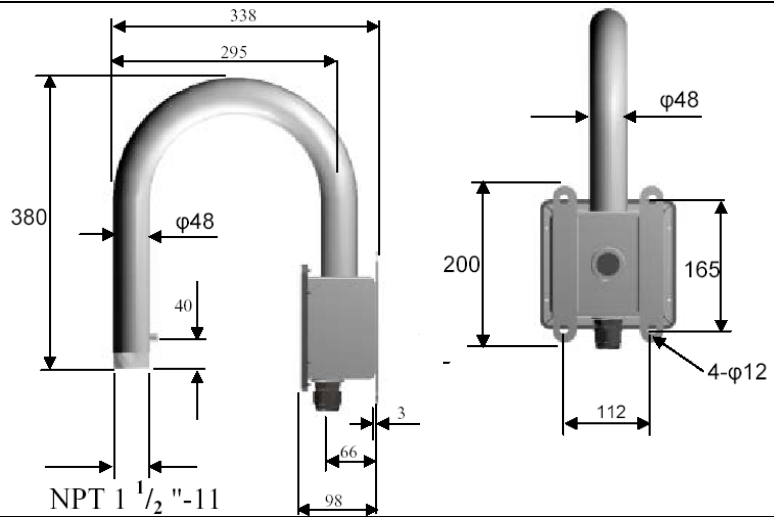
CCDA1425-WM

2GF1192-8BE



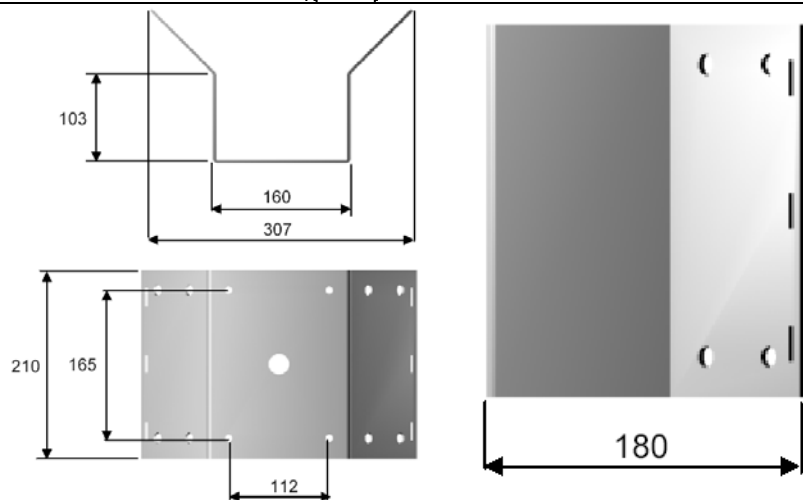
CCDA1425-WMJ

2GF1192-8BF



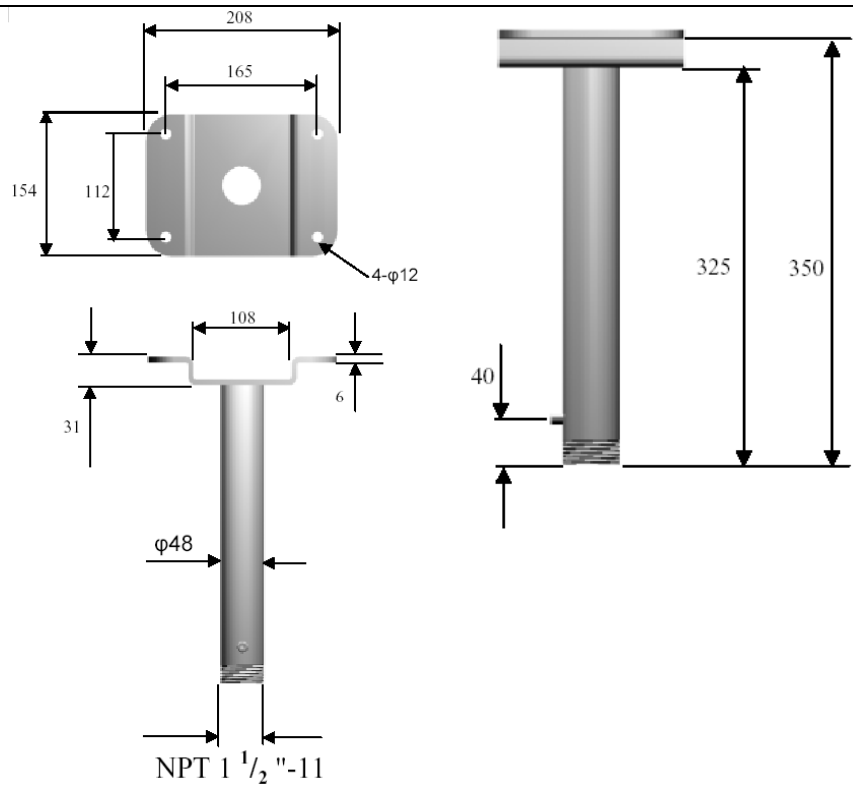
CCDA1425-CMA

2GF1192-8BH



CCDA1425-PM

2GF1192-8BG



CCDA1425-EP

2GF1192-8BJ

