

Installation instructions

8AA10866 - D1 - 07/09/2009 - UK -

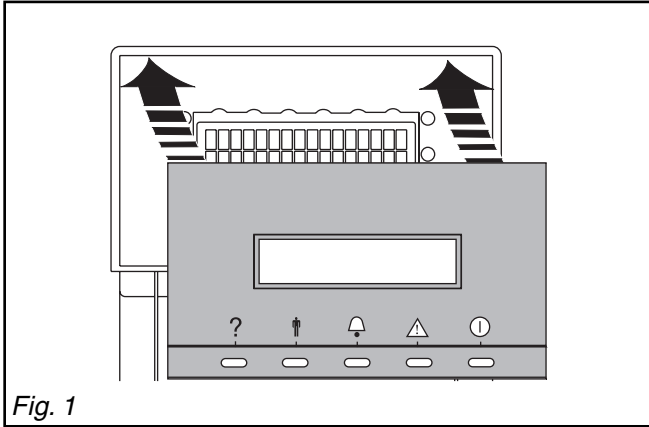


Fig. 1

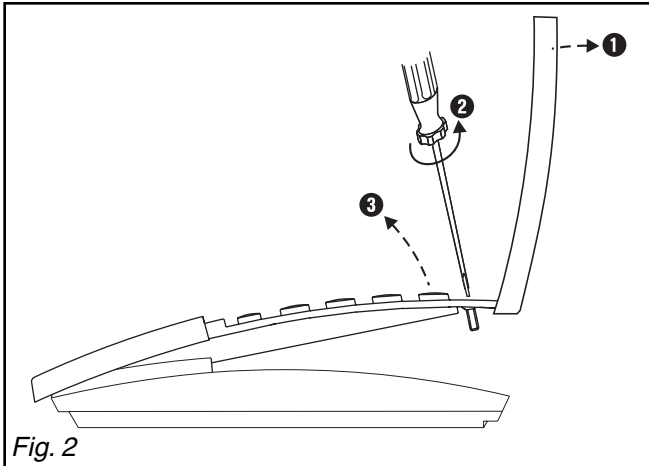


Fig. 2

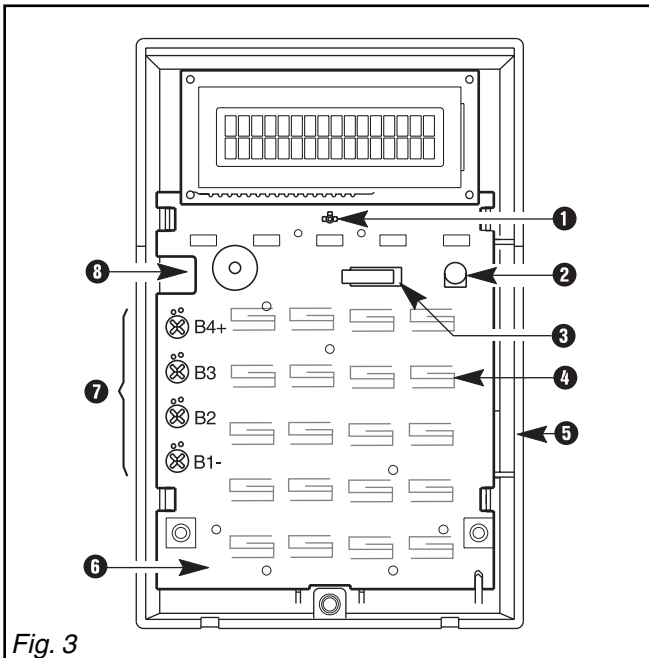


Fig. 3

1. Product description

The SAK41 remote keypad is used to operate and program the central control units.

2. Supply package

The SAK41 supply package contains the following :

- One SAK41 remote keypad,
- installation instructions,
- one plastic front.

3. Mounting instructions

The SAK41 is designed for mounting in dry indoor rooms. It must not be exposed to dripping or splashing water.

Avoid touching and spilling any dust on the contact of the keyboard.

3.1 Secure plastic front (Fig. 1)

- 1 - Peel back the backing foil half way.
- 2 - Place the plastic front in the recess.
- 3 - Stick down the plastic front in the recess whilst peeling away the remaining backing foil.

3.2 Open housing (Fig. 2)

- 1 - Open the lid ① of the cover.
- 2 - Open the housing using a screwdriver ②.
- 3 - Remove the cover ③.

3.3 Product overview (Fig. 3)

- ① Central rod is used to focus the circuit board.
- ② Potentiometer for the LCD.
- ③ Tamper contact.
- ④ Contact of the keyboard.
- ⑤ Mounting base.
- ⑥ Circuit board SMK 41.
- ⑦ Terminals for the E- bus.
- ⑧ Cable inlet.

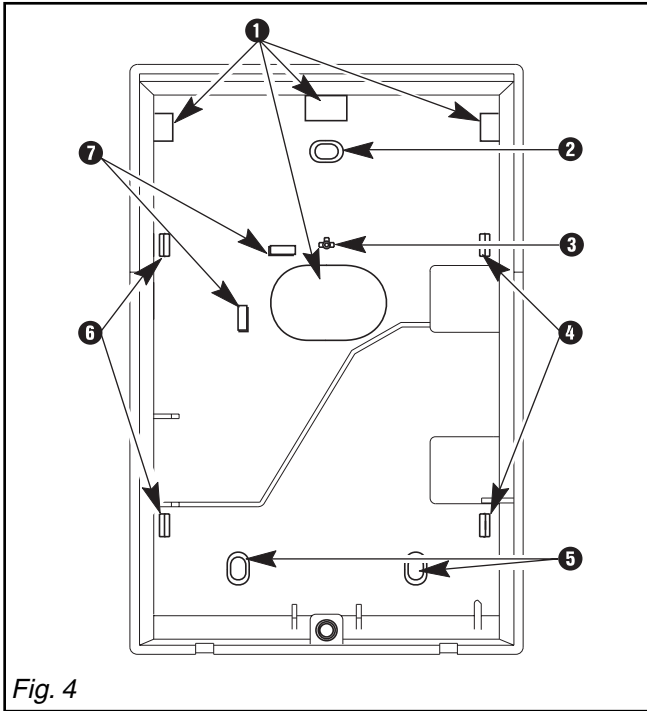


Fig. 4

3.4 Fit housing (Fig. 4)

- 1 - Remove the circuit board by spreading the crockets ④, ⑥.
- 2 - Pull the cable through the cable inlet ①.
- 3 - Secure the mounting base using three screws ②, ⑤.
- 4 - Use the cable clip ⑦.
- 5 - Focus the circuit board into the central rod ③ and snap it in the crockets ④, ⑥.

Caution !

don't touch the contact of the keyboard (④ Fig.3).

4. Wiring

4.1 E-Bus (Fig. 5)

Type 24 AWG 7 x 0.2 mm cable is recommended. The total length of the E-Bus cable must not exceed 500 m.

The E-Bus must be connected to the central control unit (B1-, B2, B3, B4+). It can be routed in parallel with other accessories. If shielded cable is used, all the shields must be connected together at one point.

5. Close the housing (Fig. 6)

- 1 - Engage the cover in the top retainer ①.
- 2 - Close the cover and lock using the screw provided ②.
- 3 - Remove the front protective foil ③ when handing over the system.

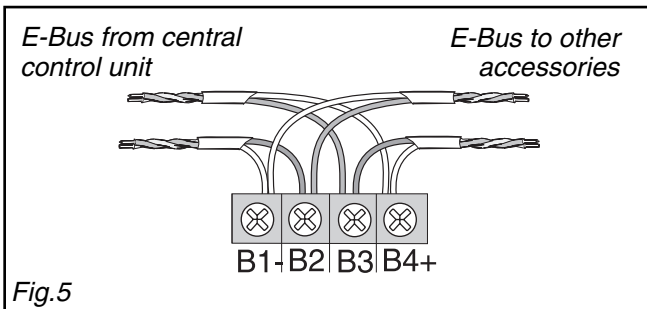


Fig.5

6. Start-up

6.1 Addressing

To enter an address in the remote keypad, simultaneously press keys ① and ③ and hold for approximately 2 sec.

6.2 Display address

To display the current address of the remote keypad, simultaneously press keys ⑦ and ⑨.

6.3 Test of displays

Simultaneously press keys ④ and ⑥ to activate all LEDs and the buzzer.

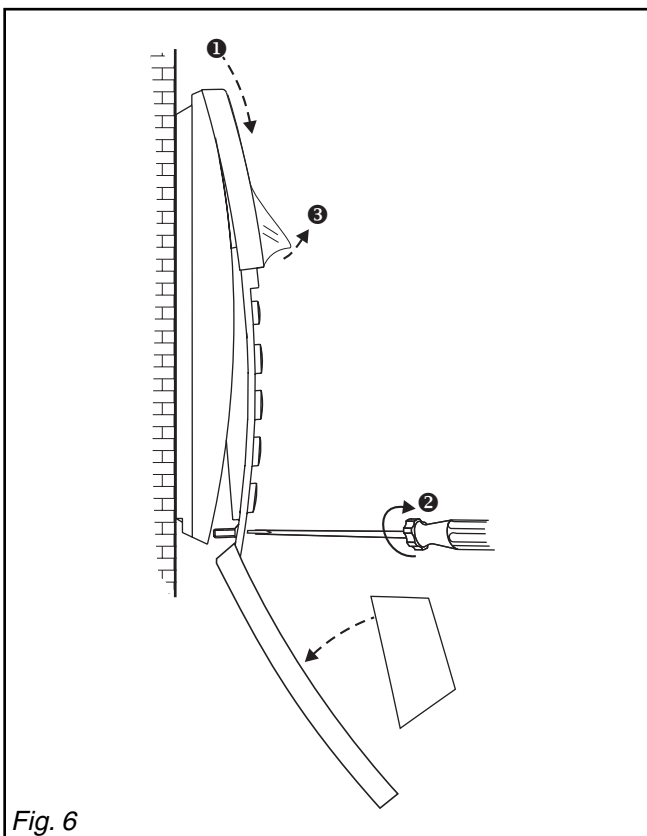


Fig. 6

7. Technical data

Supply	From the E-Bus
Power consumption min.	13 mA
Power consumption max.	73 mA
Operating temperature	0 – 55 °C
Housing	ABS
Dimensions in mm	H 166 x W 109 x D 32
Safety class	IP 30
Environmental class	II
Weight	260 g