



## UP370MD

Matchtec II

## PIR/US motion detector

- **Wide-angle detector with lookdown zone for the most exacting applications**
- **Matchtec II signal processing system**
- **Comprehensive protection concept against all extraneous influences**
- **Real temperature compensation**
- **Simple application settings**
- **Continuous full-system self-test of sensors and electronic circuits**

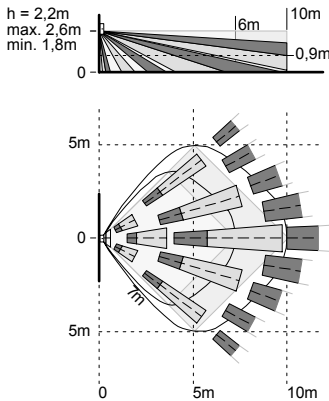
**Always the right choice.** Attractive design, reliable motion detection and excellent immunity to disturbances make the UP370MD the ideal motion detector for demanding commercial, industrial and high-security applications.

**The UP370 is highly effective.** Sophisticated, digital signal processing and the functional interconnection between the ultrasound and passive infrared subsystems ensures intruders are reliably detected. Both detection systems are subjected to complex multi-criteria signal analysis so that interference in the individual sub-systems is detected and suppressed.

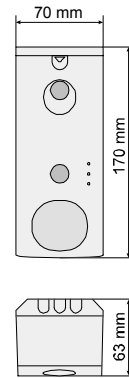
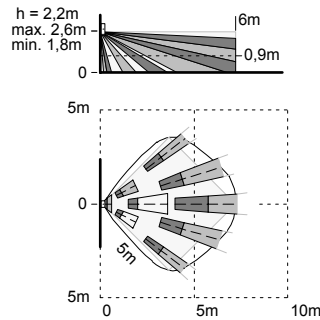
**Safe detection.** Intelligent signal processing makes UP370MD suitable for use in the most demanding environment. The comprehensive protection concept gives the detector robust protection against environmental influences.

## Coverage areas and dimensions

Wide-angle mirror (standard)



Short-range masking clip IRMC1 (option)



## Technical data

Power supply	8 ... 16 VDC (12 V nom.)
– max. ripple (0 ... 100 Hz) / Voltage monitoring	2 VPP / Alarm at <6.5 ... 7.9 V
Power consumption (at 12 VDC)	
– Quiescent / Max. on alarm (with LED)	16 mA / 32 mA
Alarm outputs (Reed relay)	30 VDC / 100 mA / Ri <45 Ω
– Alarm hold time	2 ... 3 s
Housing and back tamper contact	30 VDC / 50 mA
Control inputs: Walk test; Unset/Set	LOW ≤1.5 V / HIGH ≥3.5 V
Signal evaluation	Matchtec II; 4 settings
Detection speed: Wide angle mirror	0.1 ... 4 m/s
Ultrasound frequency (quartz oscillator)	25.6 kHz
Ultrasound when Unset selectable	On / Off
Operating temperature / Storage temperature	-20 ... +55 °C / -20 ... +60 °C
Air humidity (EN 60721)	<95% r.h, non-condensing
Housing protection (EN 60529, EN 50102)	IP 41 / IK 02
EMI rejection 1 ... 2000 MHz (EN 61000-4-3)	>30 V/m
VdS environment class	II
Approvals, VdS class B	No. G 199536

## Details for ordering

Type	Part no	Designation	Weight
UP370MD	519821	PIR/US motion detector	0.220 kg
IRMC1	520917	Short-range masking clip (set of 10)	0.025 kg
IRUM2	519876	Wall mounting bracket	0.050 kg
IRUM3	519889	Ceiling mounting bracket	0.095 kg
IRMF20	520920	Masking foil (set of 10)	0.040 kg
–	503251	Adhesive tamper seal	–

Siemens Building Technologies AG  
 Alte Landstr. 411  
 CH-8708 Männedorf  
 Tel. +41 1 - 922 6111  
 Fax +41 1 - 922 6450  
 www.sibt.com

© 2003 Copyright by  
 Siemens Building Technologies AG  
 Data and design subject to change without notice. Supply subject to  
 availability.