



IR270C

Visatec II

Passive infrared detector

- 18 m wide angle with look down zone or 25 m continuous curtain (optional)
- Fully digital Visatec II signal evaluation
- Choice of four application settings for adapting to ambient conditions
- True temperature compensation
- Three-stage white light filter with triplex black mirror optics

Versatile application. A unique combination of maximum detection reliability and immunity to false alarms make the IR270C ideally suited for use in a wide range of applications, including commercial and industrial premises and public buildings.

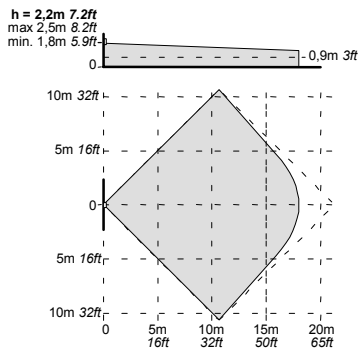
Safe and easy installation. The versatile housing allows wall and corner installation without accessories and provides plenty of space for wiring.

Outstanding immunity. A comprehensive protection concept makes the detector insensitive to environmental problems.

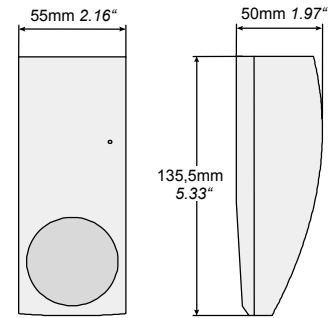
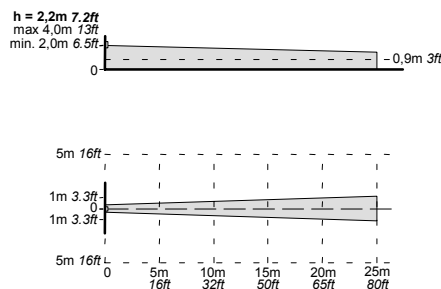
Safe detection. The patented triplex black mirror optics guarantee a high level of detection reliability, thanks to a look down zone for crawl detection, and uniform sensitivity in the 'chessboard' zone pattern. The multi-criteria signal analysis system differentiates intelligently and reliably between intruders and disturbance signals.

Coverage area and dimensions

Wide angle mirror (standard)



Curtain mirror (option)



Technical data

Supply voltage (12 V nom.)	8.0 ... 16.0 V _{DC}
– Max. ripple (0 ... 100 Hz)	2.0 V _{PP}
– Voltage monitoring	Alarm at < 5.5 ... 7.5 V
Current consumption (at 8 ... 16 V _{DC})	
– Quiescent / when alarm occurs (with LED)	2.8 mA / <10 mA
Alarm output, semiconductor relay	30 V _{DC} / 100 mA / R _i <45 Ohm
Alarm holding time	2 ... 3 s
Walktest indicator	LED
Tamper contact	30 V _{DC} / 100 mA
Control inputs	LOW ≤1.5 V / HIGH ≥3.5 V
Walking speeds	
– Wide angle / Curtain	0.1 ... 4.0 m/s / 0.1 ... 4.0 m/s
Ambient conditions	
Operation temperature	-20 ... +55 °C
Storage temperature	-20 ... +60 °C
Humidity (EN60721)	<95 % r.h., non condensing
EMI rejection up to 1 GHz / up to 2 GHz	>30 V/m / >10 V/m
Housing protection EN60529, EN50102	IP41
Approvals	<ul style="list-style-type: none"> – ANPI applied for – LNMIS applied for – IMQ applied for

Details for ordering

Type	Part no	Designation	Weight
IR270C	571487	Passive infrared detector	0.150 kg / 5.3 oz
IRS272	571733	Curtain mirror (set of 4)	0.055 kg / 1.9 oz
IRUM20	562247	Swivel wall-mount bracket	0.044 kg / 1.5 oz
IRUM30	562250	Swivel ceiling mount bracket	0.072 kg / 2.5 oz
-	503251	Adhesive tamper seal	-

Siemens Building Technologies AG
 Alte Landstr. 411
 CH-8708 Männedorf
 Tel. +41 1 - 922 6111
 Fax +41 1 - 922 6450
 www.sibt.com

© 2003 Copyright by
 Siemens Building Technologies AG
 Data and design subject to change without notice.
 Supply subject to availability.